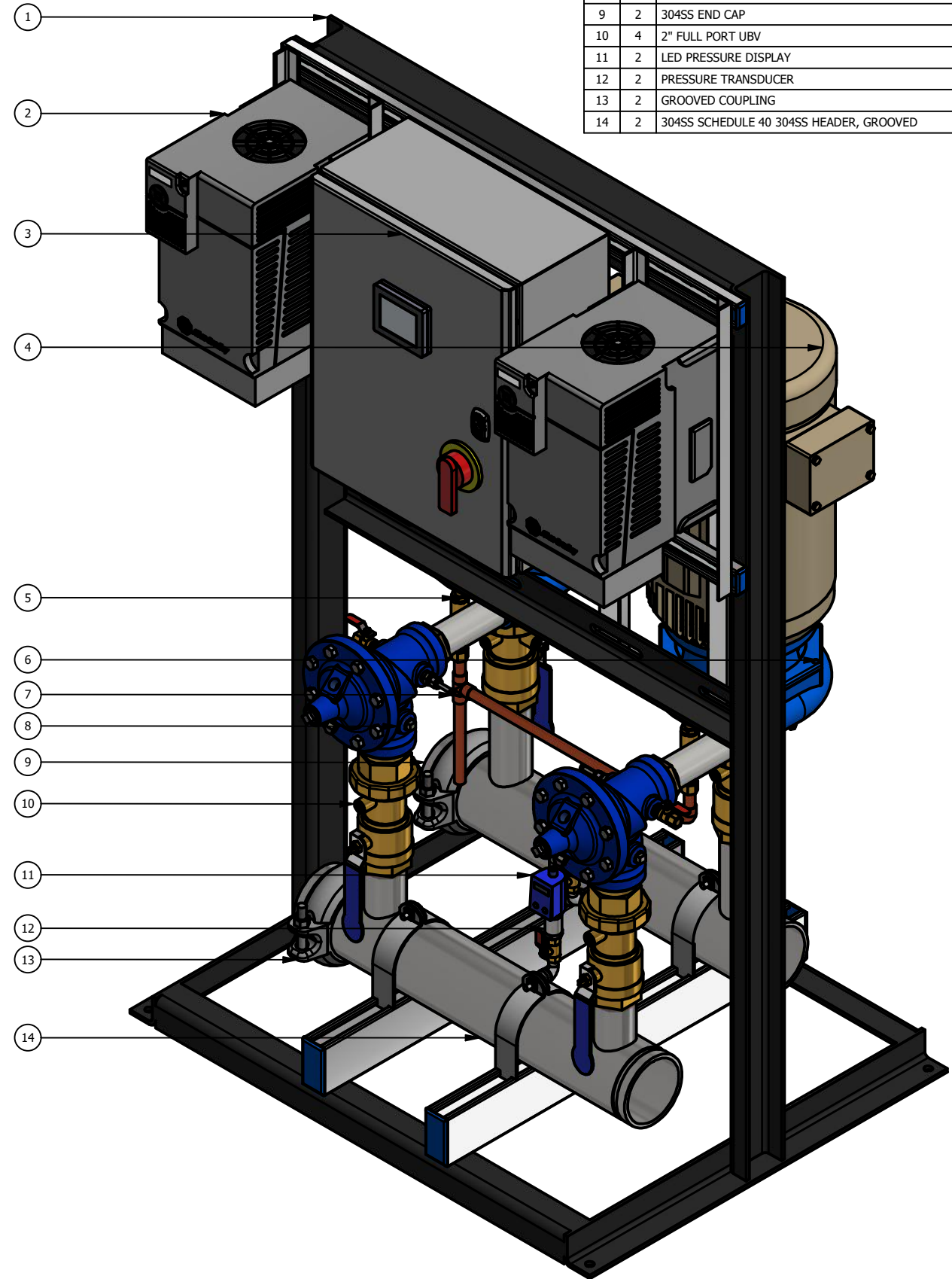


DIMENSIONS					
MVP	HEADER	DIM A	DIM B	DIM C	DIM D
630	4"	7.50	6.50	13.25	8.25
850	4"	7.50	7.00	13.75	7.25
	6"	8.50	5.50	15.25	7.25
875	4"	7.50	7.00	13.75	7.25
	6"	8.50	5.50	15.25	7.25
8100	4"	7.50	7.75	13.75	6.50
	6"	8.50	6.25	15.25	6.50
8150	4"	7.50	7.75	13.75	6.50
	6"	8.50	6.25	15.25	6.50

PARTS LIST		
ITEM	QTY	DESCRIPTION
1	1	POWDER COATED STEEL FRAME
2	2	VARIABLE FREQUENCY DRIVE
3	1	CONTROLLER ENCLOSURE
4	2	BALDOR MOTOR
5	2	THERMAL RELIEF VALVE/PIPING
6	2	GOULDS 3656-S PUMP
7	2	TEMP SENSOR
8	2	EPOXY COATED ANGLE CHECK VALVE
9	2	304SS END CAP
10	4	2" FULL PORT UBV
11	2	LED PRESSURE DISPLAY
12	2	PRESSURE TRANSDUCER
13	2	GROOVED COUPLING
14	2	304SS SCHEDULE 40 304SS HEADER, GROOVED



REVISIONS

APPROVED BY:

DRAWN BY: BrianL

DATE CREATED: 8/4/2020

LAST SAVED: 6/15/2018

DATE:

ALL DIMENSIONS APPROXIMATE. CONSULT FACTORY FOR CERTIFIED DIMENSIONS

THIS DRAWING AND THE INFORMATION DERIVED THEREIN IS THE PROPERTY OF THE HYFAB DIVISION OF JAMES M. PLEASANT'S CO., INC. AND SHALL NOT BE REPRODUCED, COPIED, NOR USED AS THE BASIS FOR THE MANUFACTURE NOR SALE OF PRODUCTS WITHOUT PRIOR PERMISSION OF HYFAB, JAMES M. PLEASANT'S CO., INC.



206 SENECA RD. GREENSBORO, NC 27406
(888) 902-8324 WWW.HYFABCO.COM

Duplex Pressure Booster
MVP

HYFAB NO.: STOCK MVP

SHEET: 1 OF 1